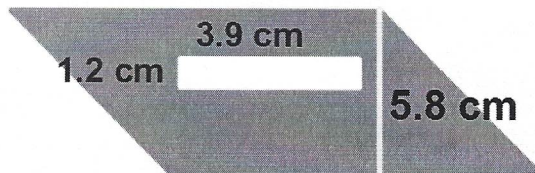
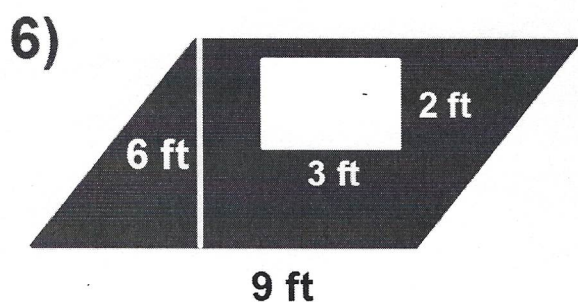


6)

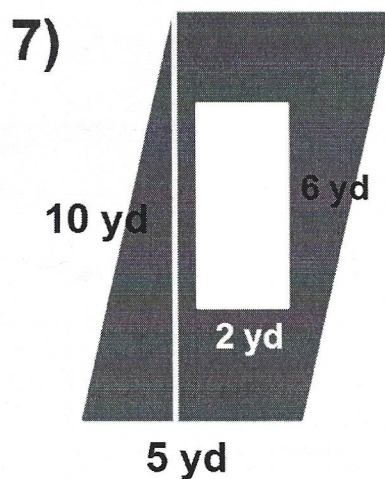


$$\begin{aligned} & (7.4 \times 5.8) - (1.2 \times 3.9) && 7.4 \text{ cm} \\ & 42.92 - 4.68 \\ & 38.24 \text{ ft}^2 \end{aligned}$$

Complete numbers 6 - 7 on your notes page.

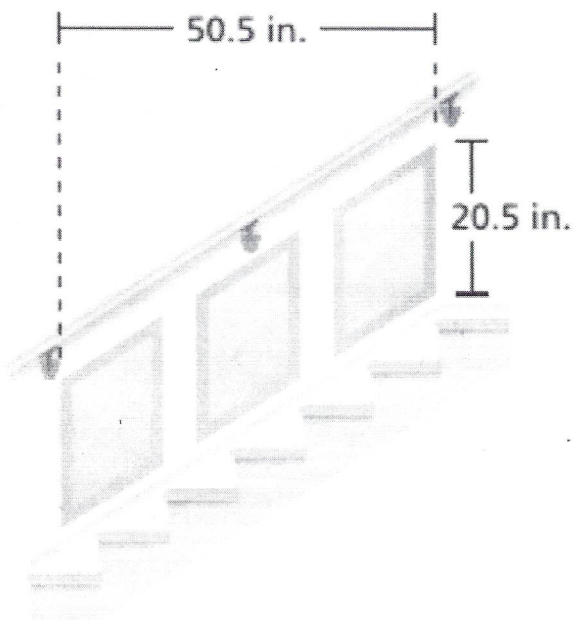


$$\begin{array}{r} (9 \times 6) - (3 \times 2) \\ 54 - 6 \\ 48 \text{ ft}^2 \end{array}$$

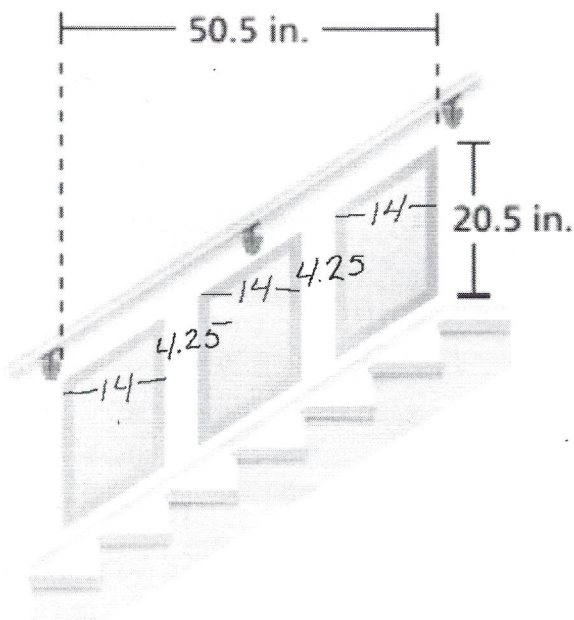


$$\begin{array}{r} (5 \times 10) - (6 \times 2) \\ 50 - 12 \\ 38 \text{ ft}^2 \end{array}$$

Staircase The staircase has three parallelogram-shaped panels that are the same size. The horizontal distance between each panel is 4.25 inches. What is the area of one panel?



Staircase The staircase has three parallelgram-shaped panels that are the same size. The horizontal distance between each panel is 4.25 inches. What is the area of one panel?



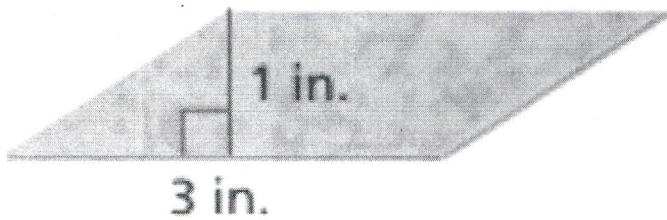
$$\begin{array}{r} 4.25 \\ + 4.25 \\ \hline 8.50 \end{array} \quad \begin{array}{r} 50.5 \\ - 8.5 \\ \hline 42.0 \end{array}$$

$$42 \div 3 = 14$$

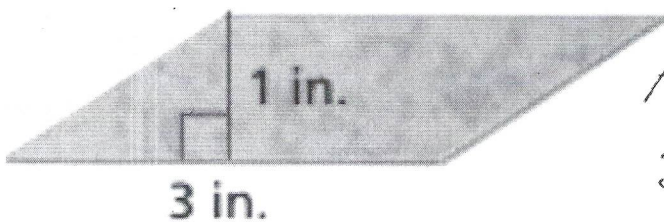
$$\begin{array}{r} 20.5 \\ \times 14 \\ \hline 820 \\ 2050 \\ \hline 287.0 \end{array}$$

The area of one panel is 287 in^2 .

T-shirt Design You use the parallelogram-shaped sponge to create a t-shirt design. The area of the design is 66 square inches. How many times do you use the sponge to create the design? Draw a diagram to support your answer.



T-shirt Design You use the parallelogram-shaped sponge to create a t-shirt design. The area of the design is 66 square inches. How many times do you use the sponge to create the design? Draw a diagram to support your answer.



Area of one sponge
 $3 \cdot 1 = 3 \text{ in.}^2$

area of design \div area of sponge = number of times sponge is used

$$66 \div 3 = 22$$

The sponge is used 22 times.